

HELICA



Cementless Hip System

HELICA Screw Prosthesis

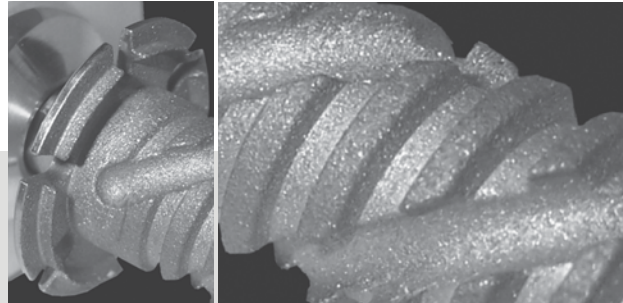
■ Advanced Technology The HELICA Cementless Hip System

Through progressive surgical techniques, recent research results, and design/material advances, the HELICA cementless hip implants have become a more viable alternative for canine THR surgery.

Conventional veterinary THR systems contain inherent problems. The HELICA Hip System solves these issues by conquering well-known weak points of traditional canine THR implant systems.



Implanted hip joint



Special structured surfaces for optimal osteointegration

■ Optimal Bone Saving; Painless Weight Bearing

Salient goals for developing this hip prosthesis include promoting painless weight-bearing activities by preserving vital bones as well as maintaining a biomechanically/anatomically correct alignment for maximum stabilization of the hip joint.

The cementless HELICA prosthesis procedure requires only a minor bone resection so that the femoral neck stays untouched.

The HELICA is designed to avoid the high load transitions and subsequent damage that can occur at the proximal femur with traditional long stem hip prosthesis designs. In the case of revision surgery, traditional cementless hip designs often do not afford a positive surgical outcome. With HELICA, the minor bone resection allows a particular area of the bone to be used again for the next size HELICA implant

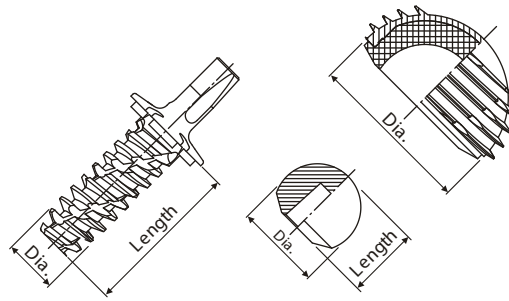
The special textured surface of the helica prosthesis ensures a safe and firm anchorage with the bone—leading to outstanding osteointegration. The femoral heads are coated with a state-of-the-art wear resistant ceramic (TiN) for optimum gliding and joint life.

■ Advantages:

- Short duration of surgery
- Minimal bone resection
- High primary stability
- Rapid weight bearing
- Cementless implantation
- Osteointegration by rough titanium surface
- Simple revision surgery in case of complications

■ Modular Setup

The HELICA System allows the combining of all available sizes of hip stems, acetabular cups, and femoral heads to restore the biomechanics of the hip joint as much as possible.



■ Product Details

Hip Stems



Material:	Titanium alloy
Surface:	Rough blasted
Implantation:	Cementless
Anchorage:	Via thread
Taper:	1:10
Diameter:	ø8mm bis ø12mm
Length:	26mm bis 32mm

Acetabular Cups



(Screw Cup)	
Material:	Titanium alloy
Surface:	Rough blasted
Implantation:	Cementless
Anchorage:	Via thread
Diameter:	ø26mm bis ø32mm

(Inlay)	
Material:	Polyethylene
Diameter:	ø26mm bis ø32mm

Femoral Heads



Material:	Stainless steel (316L)
Coating:	TiN
Diameter:	ø18mm
Length* :	short, middle, long
Taper:	1:10

* Special sizes available upon request.

HELICA Screw Prosthesis

■ Refined Engineering



HELICA Hip Instrument Sets are specifically designed for the high performance needs and demands of top veterinary surgeons.



Phone: (800) 817-5030 / (949) 679-2881
Fax: (949) 679-2882
Email: sales@medicatechvet.com
Web: www.medicatechvet.com
Mail: 50 Maxwell, Irvine, CA 92618